



Qmatic TP Touch is a network ticket printer for the solutions Orchestra, Ensemble Virtua, Solo Virtua and Q-WIN. The 7-inch colour LCD touch screen with a built-in web browser makes it possible to display a wide range of information.

The built-in web browser can display information from any standard web server together with information from the local queue server. The information is displayed on the same page to provide the best possible customer service.

This version of the printer is used without a licence. When MyQmatic and a licence are added, the printer is instead called Solo Virtua Touch. For more information, please see the Solo Virtua Touch Data Sheet, found on the Partner Portal.

Features

- Ethernet connection
- 7-inch colour LCD touch screen
- Built-in web browser
- Thermal print head, no ink or toner
- Supports all Windows fonts

With the Qmatic TP Touch, you can

- Print tickets in any language
- Display system information
- Display HTML pages from any web server
- Use a dynamical number of ticket buttons: a button can automatically be removed from the screen when the corresponding service is closed

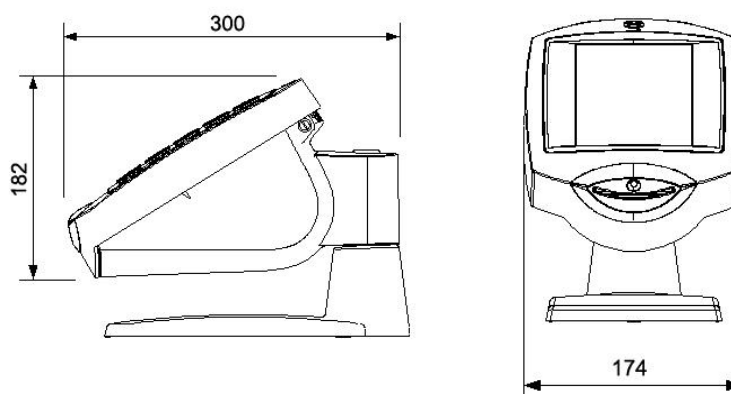
Used with Orchestra, Ensemble Virtua, Solo Virtua and Q-WIN S SE or newer.

Technical specifications	Weight	1.130 kg
	Material, casing	ABS plastic
	Printing method	Thermal printing. Printing speed max: 140 mm/s, 8 dots/mm (203 dpi)
	Paper type	Thermal sensitive
	External power supply	Input: 100-240 V AC, 50-60 Hz, output: 24 V DC, 4 A
	Power consumption	Stand by: approx: 6 W. Printing $W_{max} = 106 W$, $T_{max} = 1 sec.$
	Back-up battery	CR2032, 3V, lithium anode
	Temperature	Operating: 10-40 °C, storage: 0-40 °C.
	Relative humidity	Operating: 15-75%, storage: 10-90%
	Network transmission speed	Supported: 10/100 Mbit/s Ethernet, minimum: 10 Mbit/s
	Connectors/cables	RJ45 – CAT5 – FTP / S-FTP or better. Flexible to withstand bending
	Expected life – thermal print head	More than 1,65 million standard tickets (60 mm) at print rate of 12,5%
	Display	Touch resistive, 91 X 152 mm. Resolution: 480 X 800 pixels. Contrast ratio: 500:1, luminance: 240 cd/m ² . Viewing angles: left & right: 70°, above: 70°, below: 50°
	Safety and other regulations	CE, RoHS, WEEE

The package contains	Qmatic TP Touch	1
	Printed Quick Guide	1
	Power supply	1
	Ticket roll (10900083)	1
	Power cable Europe	1
	Power cable USA	1

Accessories	Wall bracket	10213205
	Upper columns	2 lengths
	Table stand	10213204
	Floor pedestal P3310	10213206
	Signboard	10930401
	Floor pedestal P3311	10213210

Article number Qmatic TP Touch 10213052



DS134.01F