



Qmatic TP Button is a network ticket printer for the solutions Orchestra, Ensemble Virtua, Solo Virtua and Q-WIN. The printer has large tactile buttons making it easy for visitors to select a service.

This version of the printer is used without a licence. When MyQmatic and a licence are added, the printer is instead called Solo Virtua Button. For more information, please see the Solo Virtua Button Data Sheet, found on the Partner Portal.

Features

- Ethernet connection
- Thermal print head, no ink or toner
- 0-5 ticket buttons
- Supports all Windows fonts
- Tactile buttons

With the Qmatic TP Button, you can

- Print tickets in any language

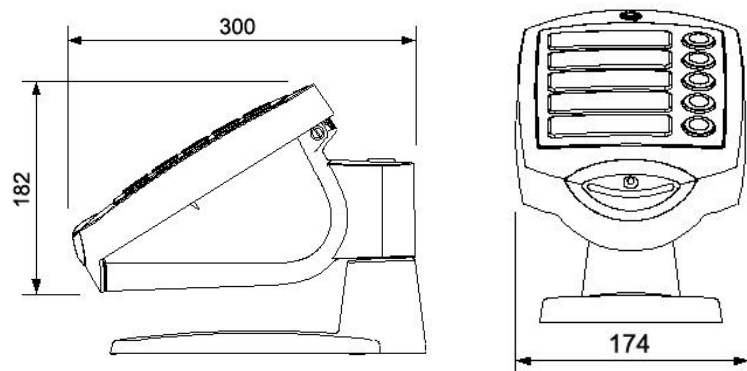
Used with Orchestra, Ensemble Virtua, Solo Virtua and Q-WIN S SE or newer.

Technical specifications	Weight	1.040 kg
	Material, casing	ABS plastic
	Printing method	Thermal printing. Printing speed max: 140 mm/s, 8 dots/mm (203 dpi)
	Paper type	Thermal sensitive
	External power supply	Input: 100-240 V AC, 50-60 Hz, output: 24 V DC, 4 A
	Power consumption	Stand by: approx: 1.6 W. Printing $W_{max} = 100 W$, $T_{max} = 1 sec.$
	Temperature	Operating: 10-40 °C, storage: 0-40 °C
	Relative humidity	Operating: 15-75%, storage: 10-90%
	Network transmission speed	Supported: 10/100 Mbit/s Ethernet, minimum: 10 Mbit/s
	Connectors/cables	RJ45 – CAT5 – FTP / S-FTP or better. Flexible to withstand bending.
	Expected life – thermal print head	More than 1,65 million standard tickets (60 mm) at print rate of 12,5%
	Expected life – switch & cushion pad	More than 1 million presses
	Safety and other regulations	CE, RoHS, WEEE

The package contains	Qmatic TP Button	1
	Printed Quick Guide	1
	Power supply	1
	Ticket roll (10900083)	1
	Power cable Europe	1
	Power cable USA	1

Accessories	Wall bracket	10213205
	Table stand	10213204
	Signboard	10930401
	Upper columns	2 legnhts
	Floor pedestal P3310	10213206
	Floor pedestal P3311	10213210

Article number Qmatic TP Button 10213042



DS133.011